

## KIT PART NUMBER 3156040

## INSTRUCTIONS FOR INSTALLING A TRIAC AND TRIAC CONNECTOR ADAPTOR

**CHECK THE PARTS RECEIVED IN THE KIT WITH THE PARTS LIST  
IN THESE INSTRUCTIONS. IF ANY PARTS ARE MISSING,  
CONTACT NATIONAL VENDORS' PARTS DEPARTMENT IMMEDIATELY.**

Read these instructions carefully before installing the kit.  
Retain these instructions for part numbers and for future reference.

This kit contains the following:

PART NUMBER	DESCRIPTION	QUANTITY
3156039	Adaptor, triac connector	1
9983778	TRIAC, 35 amp, 600 volt	1
3156041	Instructions	1

**WARNING**

**DISCONNECT THE MERCHANDISER  
FROM ITS POWER SOURCE  
BEFORE INSTALLING THIS KIT.**

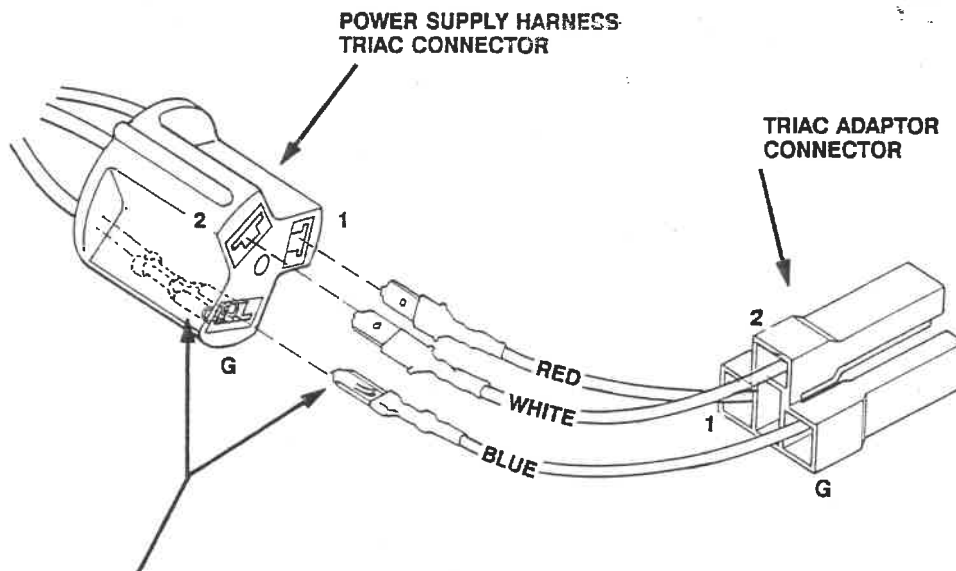
**INSTALLING THE NEW TRIAC**

1. Disconnect the power supply harness from the defective TRIAC.
2. Remove the defective TRIAC.
3. Install the new TRIAC included in this kit.

## INSTALLING THE TRIAC CONNECTOR ADAPTOR

1. Insert the red lead of the TRIAC adaptor connector into terminal 1 of power supply harness triac connector.
2. Insert the white lead of the adaptor connector into terminal 2 of the harness connector.
3. Insert the blue lead of the adaptor connector into terminal G of the harness connector.

Figure 1.



**NOTE: THESE TERMINALS MUST BE ALIGNED PROPERLY TO INSURE A SOLID CONNECTION. FAILURE TO DO SO MAY RESULT IN DAMAGE TO THE TERMINALS**

4. Place the TRIAC adaptor connector over the terminals of the TRIAC and securely mate the two as shown in Figure 2.

Figure 2.

